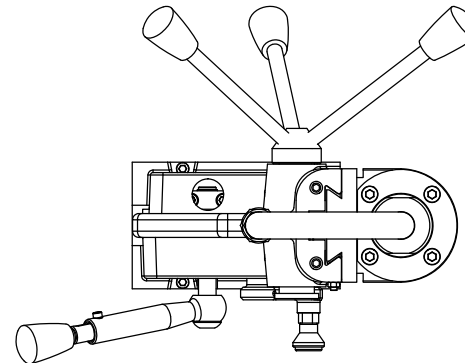
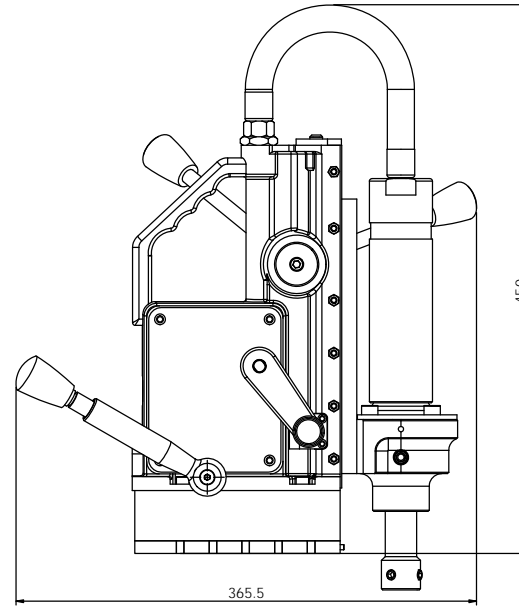
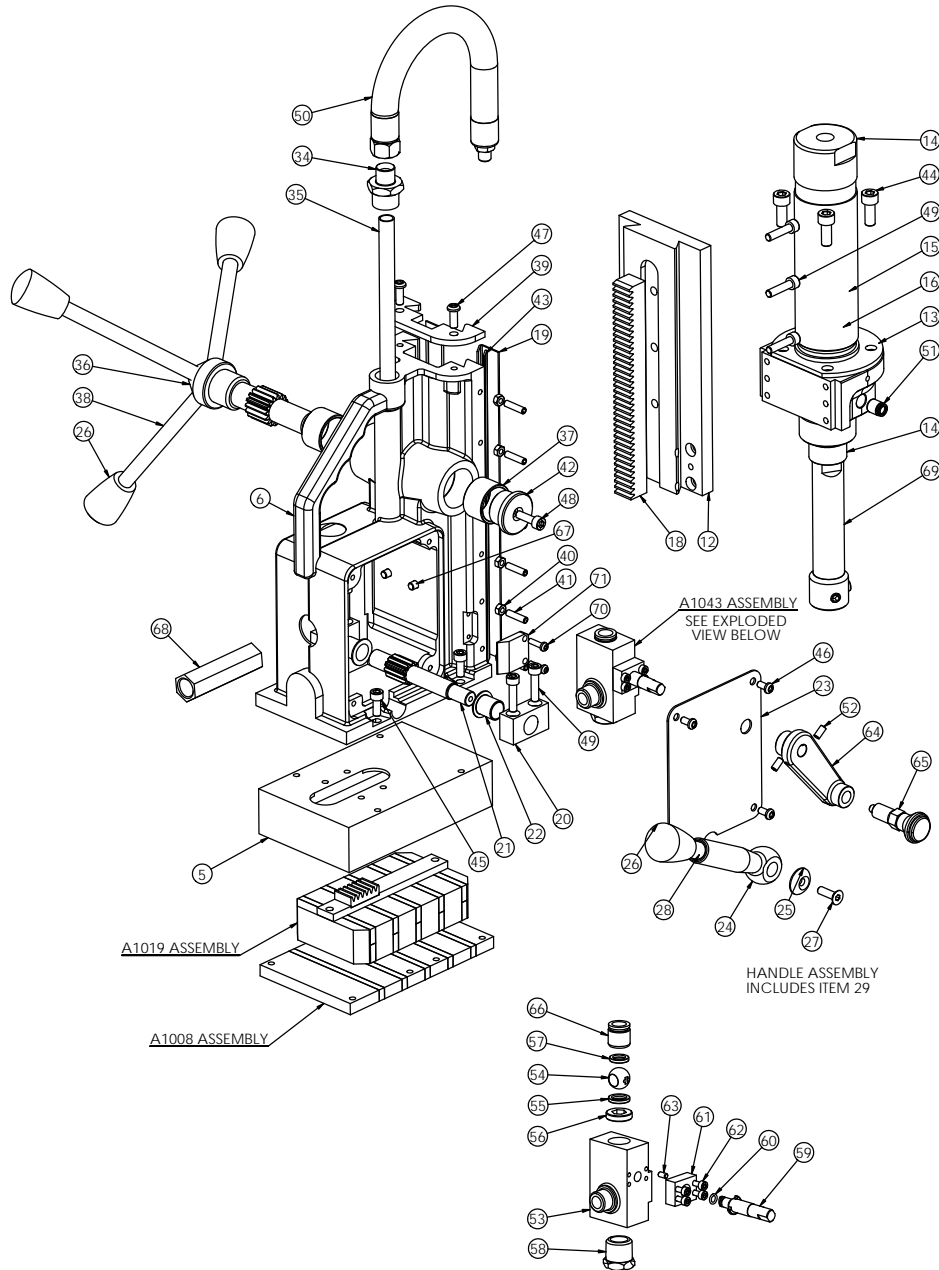


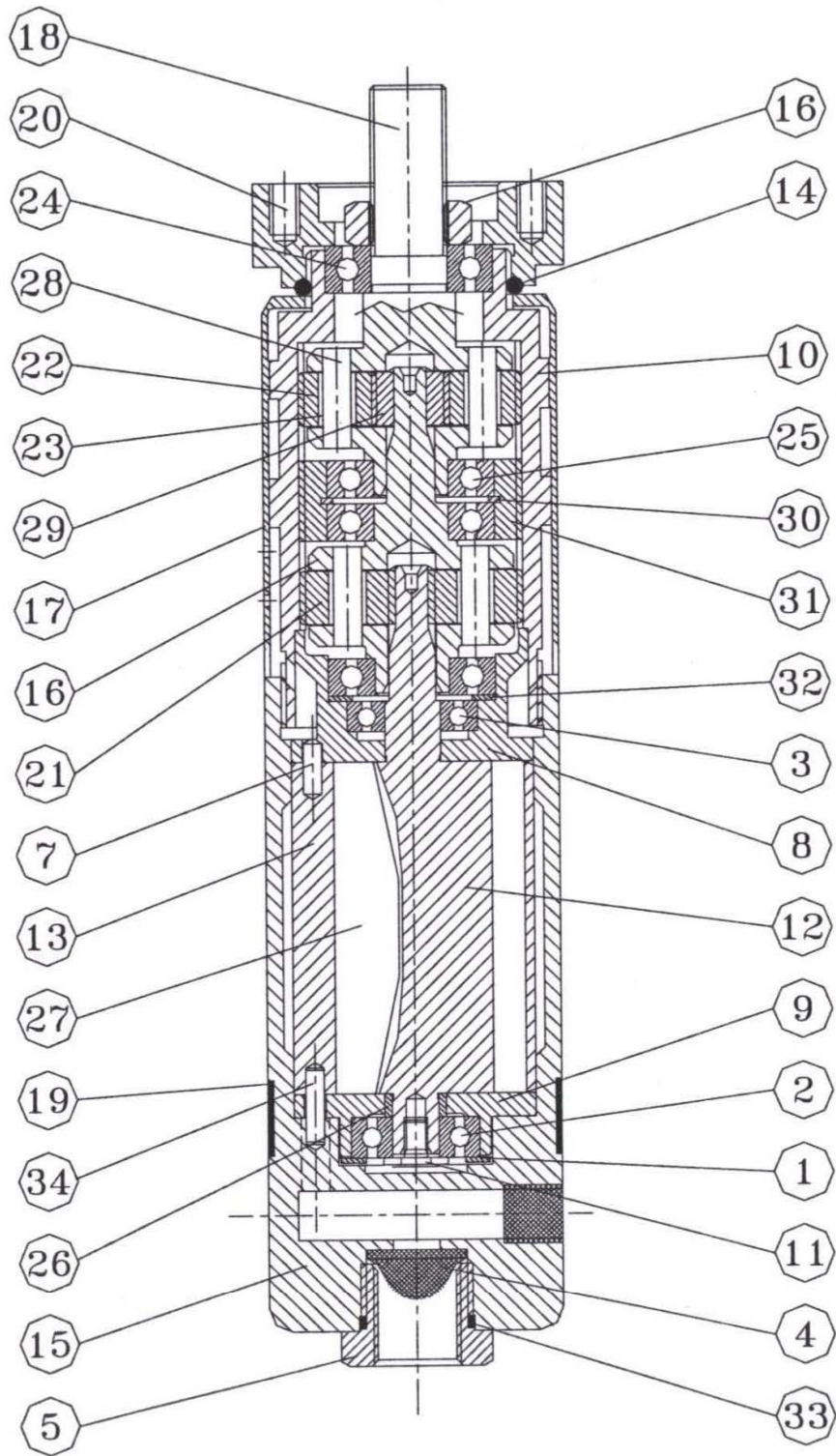
ISSUE	DESCRIPTION	DATE



ITEM NO.	QTY	PART NO.	DESCRIPTION
1	5	A 1006	MAGNET BOTTOM PLATE/MAG. SECTION
2	5	A 1007	MAGNET BOTTOM PLATE/NO-MAG. SECTION
3	1	A 1005	MAGNET BOTTOM PLATE END SECTION
4	2	A 1001	MAGNET BASE STIFFENING ROD
5	1	A 1004	MAGNET SHELL
6	1	20348AIR	MINI-BOR BODY AIRBOR
7	2	A 1020	MAGNET CARTRIDGE END PLATE
8	5	A 1021	MAGNET CARTRIDGE NEODYMIUM MAGNET
9	5	A 1022	MAGNET CARTRIDGE ALUMINIUM SPACER
10	4	A 1023	MAGNET CARTRIDGE STEEL SPACER
11	1	A 1010	MAGNET CARTRIDGE RACK
12	1	A 1017	SLIDE FOR AIRBOR MOTOR
13	1	A 1018	AIRBOR BOTTOM STEADY
14	1	A 1024	AIRBOR MOTOR
15	1	M 0521	ARBOR GUIDE BUSH
16	1	M 0050-1	Ø38xØ25x5 OIL SEAL
17	1	M 0050-2	Ø35xØ25x5 OIL SEAL
18	1	Ø25	RACK
19	2	60100A	BRASS STRIP
20	2	A 1003	MAGNET PINION SUPPORT BLOCK
21	1	A 1009	MAGNET BASE PINION SHAFT
22	2	A 1025	Ø10.5xØ6.7x16.5 MAGNET PINION SHAFT BUSH
23	1	A 1016	AIRBOR FASCIA PLATE
24	1	A 1015	AIRBOR MAGNET LEVER
25	1	A 1014	AIRBOR MAGNET LEVER LOCKING CAP
26	4	Ø6x6	PLASTIC HANDLE KNOBS
27	1	SC620SK	M6x20Lg SKW SCREW
28	1	A 1041	HANDLE EXTENSION LEVER
29	1	SC48CAP	M4x8Lg CAPSCREW
30	1	A 1026	LUBRICATING TANK
31	1	A 1027	BLANKING PLUG
32	1	A 1029	3-8in BONDED SEAL
34	1	A 1034	HOSE COUPLING
35	1	A 1038	SEAL/TUBE Ø9xØ19Lg
36	1	M 0042	PINION SHAFT
37	2	M 0081	PINION SHAFT BUSH
38	3	Ø081	HANDLE SHAFT
39	1	Ø384	BODY TOP PLATE
40	6	NUT-M5	M5 FULL NUT
41	6	SC520GRUB	M5x20Lg GRUB SCREW
42	1	M 0072C	PINION END CAP BORE
43	1	20348	GB STRIP
44	4	SC60CAP	M6x10Lg CAPSCREW
45	4	SC68CAP	M6x18Lg CAPSCREW
46	4	SC518BUT	M6x18Lg BUTTON HEAD SCREW
47	2	SC188BT	M6x18Lg BUTTON HEAD SCREW
48	1	SC60CAP	M6x10Lg CAPSCREW
49	7	SC82SCAP	M6x28Lg CAPSCREW
50	1	A 1040	AIR HOSE
51	1	M 0096	Ø6mm PUSH FIT FITTING
52	1	SC518GRUB	M6x18Lg GRUB SCREW
53	1	A 1043	AIR VALVE BLOCK
54	1	A 1043-01	AIR VALVE BALL
55	1	A 1043-09	AIR VALVE WASHER - 17mm
56	1	A 1043-05	AIR VALVE BALL RETAINING SCREW
57	1	A 1043-04	AIR VALVE WASHER - Ø3.3mm
58	1	A 1043-06	AIR VALVE M14 P.LUG
59	1	A 1043-07	AIR VALVE LEVER ROD
60	1	A 1043-08	5x4x15 O-RING
61	1	A 1045	AIR VALVE LEVER RETAINER
62	4	SC48CAP	M4x8Lg CAP SCREW
63	1	DWL-4X7.5	DOWEL 4 x 7.5
64	1	A 1046	AIR VALVE LEVER
65	1	A 1051	HANDLE LOCK PLUNGER
66	1	A 1047	Ø2mm PUSH FIT FITTING
67	2	SC60CAP	M6x10Lg CAP SCREW
68	1	A 1049	TANK REPLACEMENT BAR
69	1	M 0502B	SMALL DRILL LONG REACH ARBOR
70	2	SC48BUT	M4x8Lg BUTTON HEAD SCREW
71	1	A 1050	MOTOR LOCK PLATE

ORIGINAL ISSUE	REF.	TOLERANCES UNLESS OTHERWISE STATED	TITLE	SCALE
M.KAYE	(DRAWN)	ISO 2768/MSD/0.25/0.25/0.25	AIRBOR ASSEMBLY	1:3
			MATERIAL AS SPECIFIED	
			FINISH TBA	
16.10.04	(DATE)			

DRG. No.	AIRBOR ASSY
SHT: 1	OF: 1



34	99671	ROLL PIN
33	90999	O-RING
32	82787	SPACER
31	82786	BEARING CARRIER
30	82785	INTERNAL CIRCLIP
29	82779	SUN WHEEL
28	82777	IDLER GEAR PIN
27	82768	ROTOR BLADE
26	82767	SPACER
25	75485	BEARING
24	75384	BEARING
23	753203	NEEDLE ROLLER
22	753202	IDLER GEAR
21	753201	IDLER GEAR
20	753096	FLANGE
19	753060	NAME PLATE
18	752592	SPINDLE
17	752590	MUFFLER
16	752588	DRIVE SHAFT
15	752587	ROTOR HOUSING
14	751992	O-RING
13	751991	CYLINDER BUSHING
12	751989	ROTOR
11	751988	CLAMP SCREW
10	751984	GEAR CASE
9	751982	UPPER CENTRE PLATE
8	751981	LOWER CENTRE PLATE
7	751974	ROLL PIN
6	751921	NUT
5	751828	REDUCER
4	73264	STRAINER
3	71464	BEARING
2	58934	BEARING
1	58330	SPRING WASHER
NO.	PART NO.	DESCRIPTION